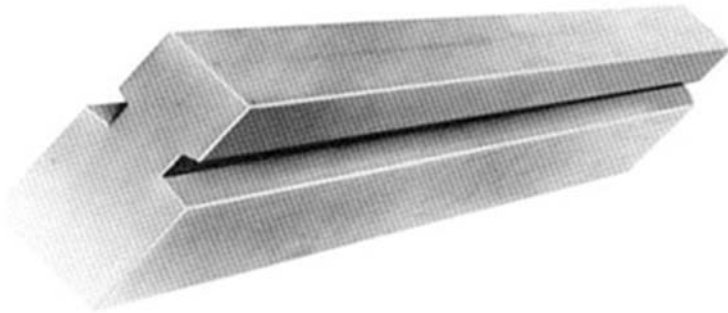




Dovey Wax Bars and Wax Bar Kits

The easy way to reduce drag at the Double Backer and applying Medium release at the Single Facer



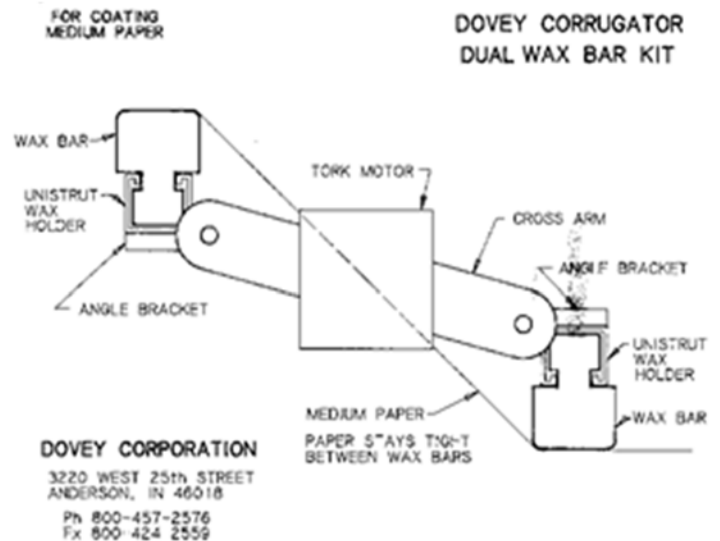
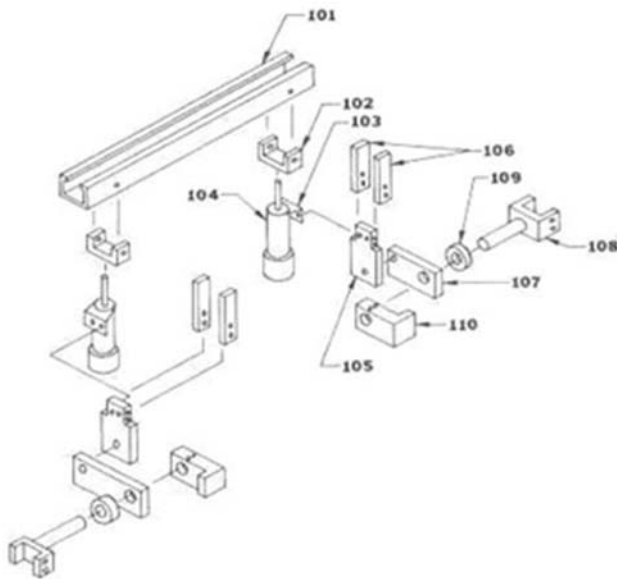
- Improves bonding at the Double Backer
- Reduces drag at the single Facer
- No effect on coatings
- Application Kits are available

The use of the DOVEY solid wax bar on the Single Facer and Double Backer, reduces the drag significantly in the manufacture white liner (bleached) or any board that causes excessive drag in production. The results of using the Dovey Solid Wax Bar can easily be measured but the decrease in amps that are used to run the corrugator

Which wax bar to use:

Blue wax bars—used on medium for release from Single Facer

White wax bars—Used on the Double Backer as a lubricant over the hot plates



Your Dovey Area Managers are:

Gary Lovelace & Associates

We offer single bar kits (for white bars) for lubrication at the Double Backer and dual bar kits (for blue bars) at the Single Facer. Kits are shown above.

Gary Lovelace (850) 206-3823
gary@corrugatedonline.net
Drew Lovelace (850) 723-2963
drew@corrugatedonline.net