

MEMO

**DOVEY CORPORATION,
3220 W. 25th Street,
ANDERSON, IN 46011**

www.dovey.us

PH. # 800 457 2576

765 649 2576

FAX.# 888 649 2576

765 649 1934

E mail : order @dovey.us

SUBJECT: Fosber TC Slitter Blade

For file purpose this note confirms price of the Dovey **TUNGSTEN CARBIDE** Blade for the Fosber TE slitter.

Cost of the blade is **\$220.00** in any quantity.

Please see attachment for sharpening stone information and cost.

Each blade order is shipped with a pair of PVC dotted Kelvar gloves no charge.

Please call with any questions.

Best regards,

Craig.



Your Dovey Area Manager

Gary Lovelace & Associates

www.corrugatedonline.net

Gary Lovelace 850-206-3823

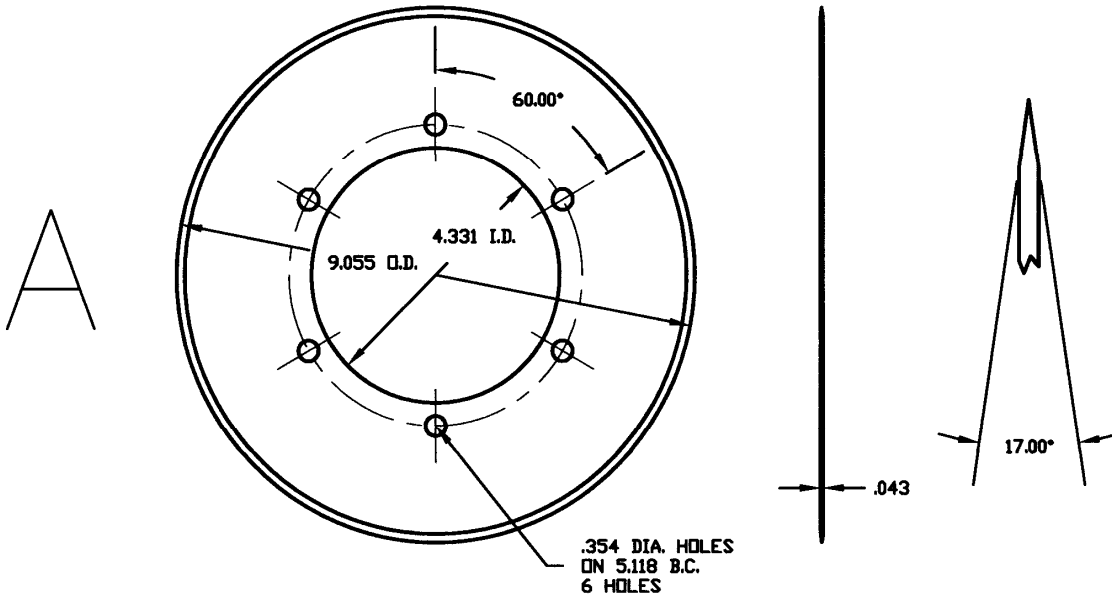
Drew Lovelace 850-723-2963



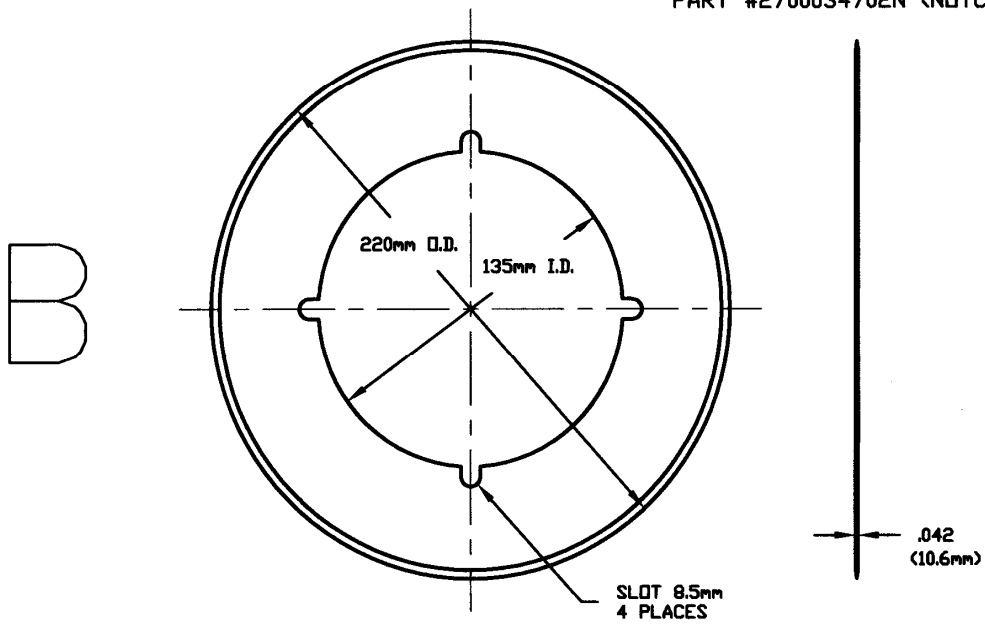
Fosber Sharpening Stones...\$44@
See other page in this file

DOVEY CORPORATION

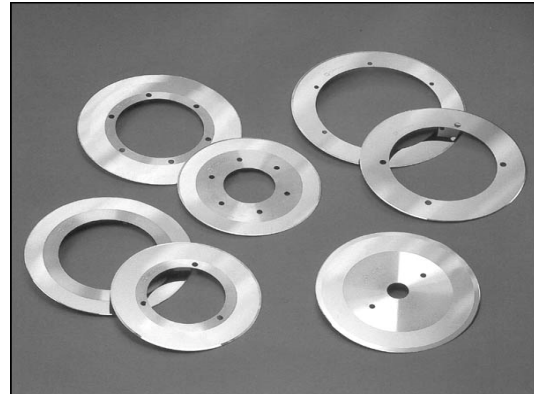
FOSBER TWIN EVOLUTION SLITTER
230mm x 110mm
PART #2700032907BH (BOLT HOLES)



FOSBER TWIN 400 SLITTER
220mm x 135mm
PART #2700034702N (NOTCHED)



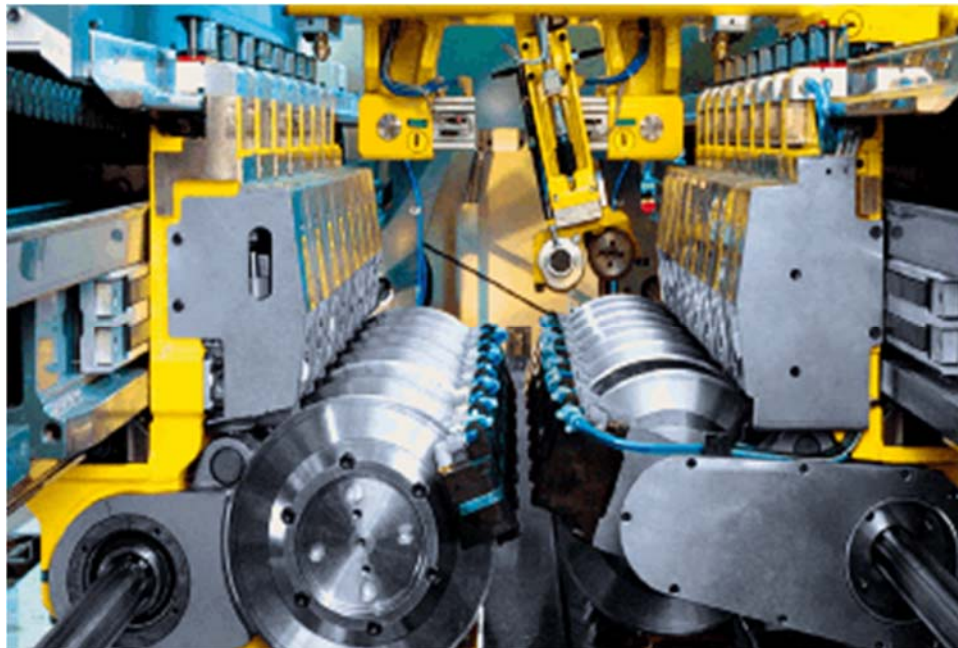
DOVEY CORPORATION
P.O. Box 2249 – 3220 W. 25th. St.
Anderson, IN 46018
Ph.# 765-649-2576 ** Fax.# 765-649-1934



The Dovey FOSBER Tungsten Carbide Blade Material Analysis:

Transverse

ISO	CHEMICAL COMPONENTS		WC grain size	grain size	Density	HRA	Strength
	WC%	CO%					
K40	87	13	0.8 – 1.5	< 0.8	14.2	90.5	3500



DOVEY SHARPENING STONES FOR ALL RAZOR CUT DRY END SLITTERS.



DOVEY CORP supplies diamond dresser sharpening stones for slitters made by:

BHS MARQUIP **FOSBER** ISOWA and MHI

- Unsurpassed quality and superior life.
- Made to exact OEM specs.
- Competitively priced and delivered from stock.
- MARQUIP \$44.00 complete with bearing and snap ring.

Pt. # 3950016 - 400

- BHS \$44.00
- **FOSBER \$44.00 - for the Tungsten Carbide blade only.**
- ISOWA \$63.00 per pair with bearing
- MHI \$44.00 with bearing and mounting screw.

For more information please contact:

DOVEY CORPORATION
P. O BOX 2249
ANDERSON IN 46018
PH.# 800 457 2576 *** FAX.# 888 649 2576
www.dovey.us