

QUOTATION

Your Dovey Area Managers are:

Gary Lovelace & Associates

Gary Lovelace (850) 206-3823

E-Mail: gary@corrugatedonline.net

Drew Lovelace (850) 723-2963

E-Mail: drew@corrugatedonline.net

DOVEY CORPORATION,

3220 W. 25th Street,

ANDERSON, IN 46011

Phone: 800-457-2576

SUBJECT: BHS Slitter Blades

For file purpose this info confirms price and spec. on the BHS slitter blade.

PART # BHS105303902

Cost of the blade is **\$160.00** in any quantity.

Delivery: ex stock

IMPORTANT NOTE: We also offer Sharpening Stones for BHS Tungsten Carbide Slitter blades. Diamond Grit Stones for Tungsten Carbide Slitter blades are \$44@. See the "Dovey Diamond Dresser Sharpening Stone Link".

Please call with any questions.

Each blade order is shipped with a pair of PVC dotted Kevlar gloves at no charge

Please call with any questions

Your Dovey Area Managers are:

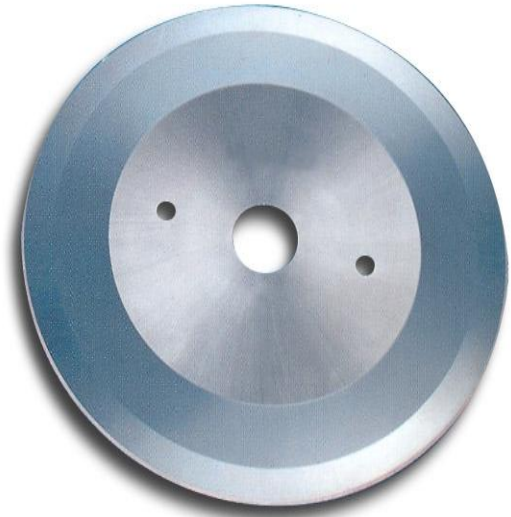
Gary Lovelace & Associates

Gary Lovelace (850) 206-3823

E-Mail: gary@corrugatedonline.com

Drew Lovelace (850) 723-2963

drew@corrugatedonline.com



**We will be happy to send you one for free trial and inspection.
Send me an e-mail at gary@corrugatedonline.net**

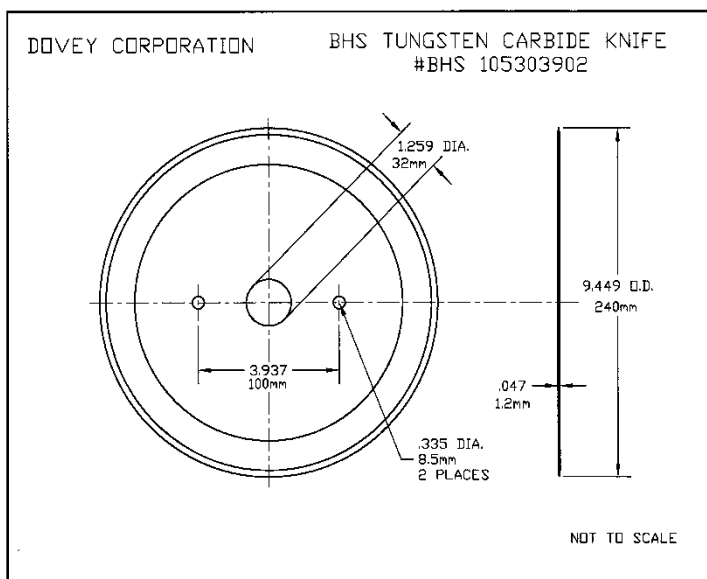
**PRECISION MADE TUNGSTEN/CARBIDE BLADES FOR FOSBER, MARQUIP,
BHS, MHI, ISOWA AND AGNATI.**

BY DOVEY CORP.



Precision made tungsten carbide blades for the BHS, Isowa, MHI, Fosber and Marquip slitters.

- **Tolerances are + - 0.0004" or less and component is precision finished and mirror polished.**



**For more information on delivery please
contact;**

Your Dovey Area Manager

Gary Lovelace & Associates

Gary Lovelace (850) 206-3823

gary@corrugatedonline.net

Drew Lovelace (850) 723-2963

drew@corrugatedonline.net

DOVEY CORPORATION
P.O. Box 2249 – 3220 W. 25th. St.
Anderson, IN 46018

Your Dovey Area Manager:

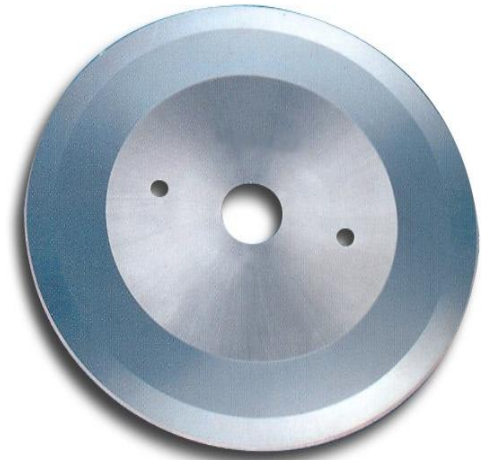
Gary Lovelace & Associates

Gary Lovelace (850) 206-3823

gary@corrugatedonline.net

Drew Lovelace (850) 723-2963

drew@corrugatedonline.net



The Dovey BHS Tungsten Carbide Blade Analysis:

ISO	CHEMICAL COMPONENTS		WC grain size	grain size	Density	HRA	Transverse Strength
	WC%	CO%					
K40	87	13	0.8 – 1.5	< 0.8	14.2	90.5	3500

**** IMPORTANT NOTE:** Dovey purchases all used and broken blades regardless of origin as long as worn blades were used on the BHS slitter. Just accumulate 20 to 30 blades, call Dovey and we will have UPS pick up same. We suggest that used blades are put back into the sleeve that new blades are shipped in.

