

DOVEY CORP.
 3220 W. 25th STREET
 ANDERSON, IN 46011
 PH. 765-649-2576
 FAX 765-649-1934
 email: order@doveyco.com

CREASER/SCORE SPEC. SHEET

WIDTH _____

PROFILE _____

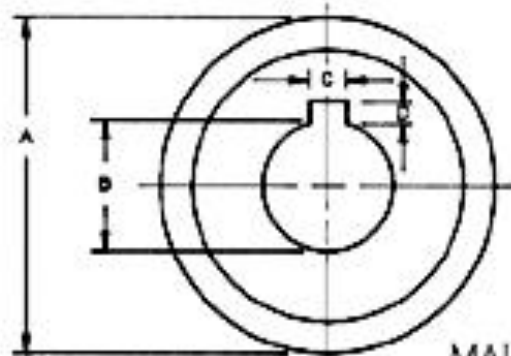
DIA. A _____

SHAFT DIA. B _____

NO. KEYS _____

KEY SIZE C _____

D _____



MALE

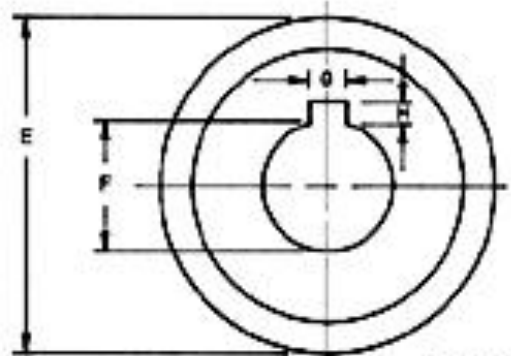
DIA. E _____

SHAFT DIA. F _____

NO. KEYS _____

KEY SIZE G _____

H _____



FEMALE

Company Name _____

City and State _____

Machine Make _____

Machine Size _____