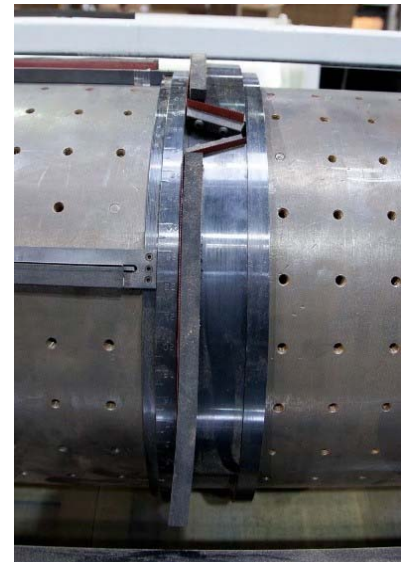


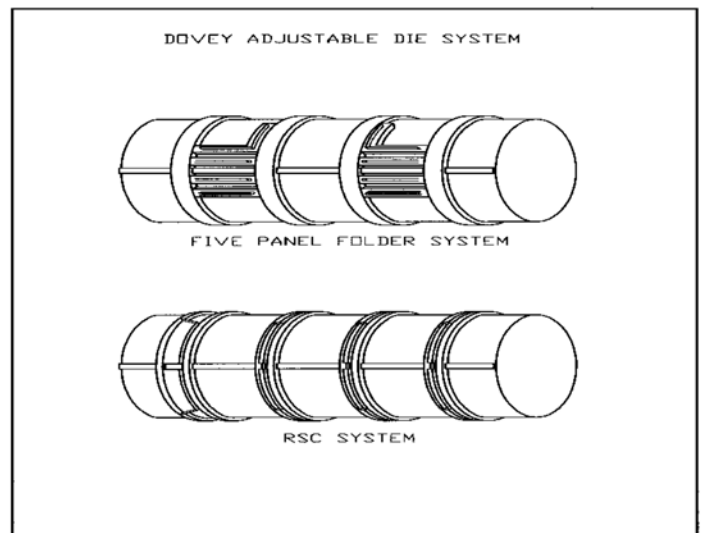
# The Dovey Adjustable Rotary Die System For Ultimate Flexibility and Reliability

Why purchase a Rotary Die Board, when this system will cut slots and glue tabs with a simple set up?



## Standard Features:

- Quick-lock adjustable dies
- Clamp fit rings with hinged halves
- Full vertical and horizontal scales
- Positive locking bar
- All steel, cadmium-plated components
- Increases profits by maximizing Rotary Die Cutter utilization and versatility
- A fast and simple method of adding printer-slotted capabilities to any Rotary Die Cutter
- Adds printer-slotted capacity without a large capital expenditure
- Ideal for both short-runs and long-runs of standard RSC's and 5-Panel Folders



## Available styles:

- RSC (Regular Slotted Cartons)
- 5-Panel Folders
- Combination RSC and 5-Panel Folders
- Other box styles and special features on request

COMPONENTS AVAILABLE FOR OLDER SIMILAR SYSTEMS

07 Dovey Adjustable Die Sys 2018

Manufactured by

**DOVEY CORPORATION**

Anderson, IN, USA

Your Dovey Area Manager is:

**Gary Lovelace & Associates**

Office (850) 469-9708 • Cell: (850) 206-3823

E-Mail: [gary@dovey.us](mailto:gary@dovey.us)

Web: [www.corrugatedonline.net](http://www.corrugatedonline.net)