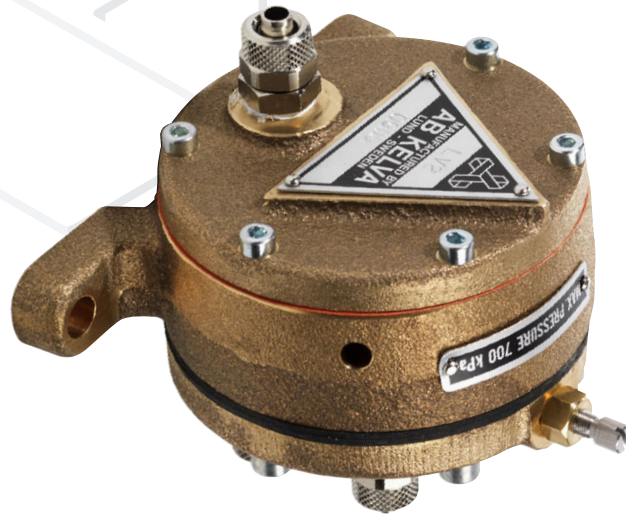


KELVA Level Regulator

LV2, LV6



Improved Quality

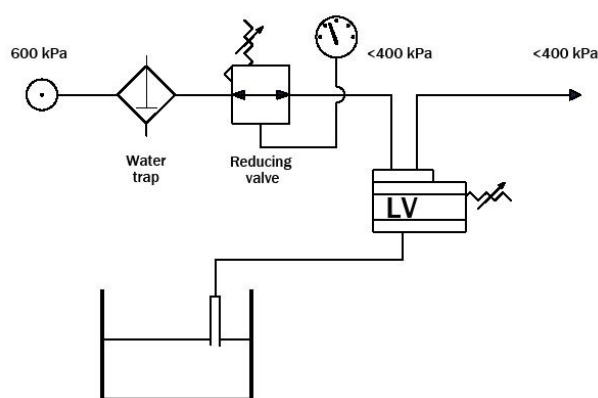
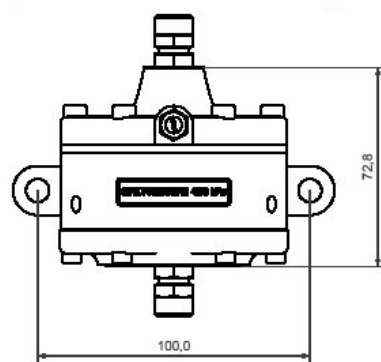
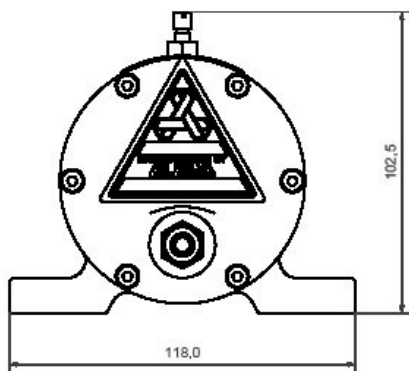
– Keep Your Liquid Levels Constant with Kelva's LV2 and LV6

- Fully air operated
- Explosion proof
- Works with all air operated pumps

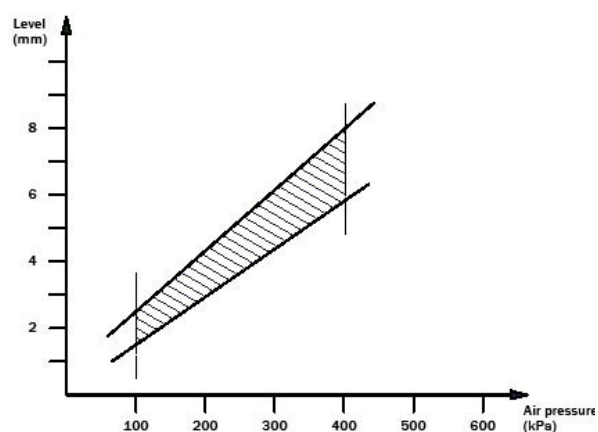
Kelva has two different level regulators. LV2 gives a signal at a low level, while LV6 gives a signal at a high level. Thus, LV2 is suited to control a pump to keep the level in the receiving container constant, while LV6 can control a pump to keep a container empty.

Product name	Kelva Level Regulator (LV2)
Permitted air pressure	100 - 400 kPa (15 - 60 psi)
Recommended air pressure	150 - 200 kPa (20 - 30 psi)
Sensor nozzle pressure	15 - 20 Pa (0,002 - 0,003 psi)
Level accuracy	+/- 1 mm (+/- 3/64")
Efficiency	As minor differences as +/- 1 mm will activate the level regulator.
Material	LV2, incl sensing nozzles and brackets, are cast in brass and have diaphragms of fibre-reinforced nitril rubber.

DIMENSIONS



Flow diagram



Air pressure diagram diagram