

Contact Web Cleaner

LC



Improved Quality

– With Kelva's most compact contact web cleaner

- Cleans film, foil and sealed type paper at speeds up to 400 m/min
- Can be mounted in any direction
- Easy to build in to new machines and to retrofit in to existing machines.
- Low-silicone polymer roller
- Single-sided cleaning

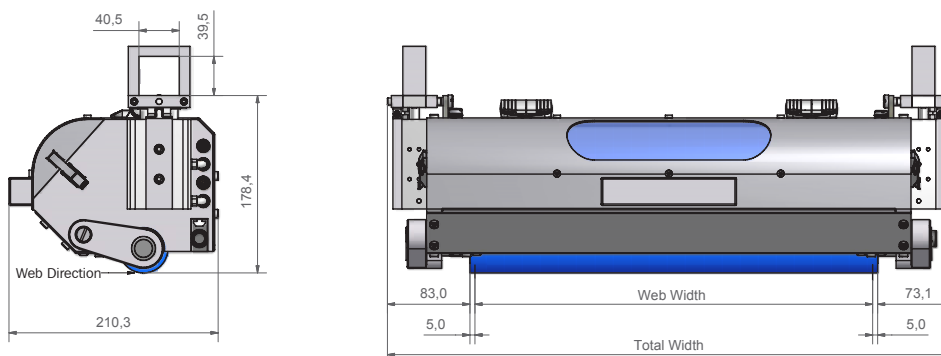
Kelva Label Clean is Kelva's most compact contact web cleaner. The Label Clean is specially designed for narrow web applications such as label printing, but can handle webs up to 1300mm.



Kelva is represented by Dovey Corp., Anderson, IN Phone (800) 457-2576
Sales Rep: Gary Lovelace (gelgcas@bellsouth.net)

Product name	Kelva Label Clean (LC)
Application	Narrow web cleaning, label cleaning, screen printing
Opening	Pneumatic, manual valve
Standard	Active antistatic equipment

DIMENSIONS



Model	Web width	Total width
LC-200	200 mm	366 mm
LC-250	250 mm	416 mm
LC-300	300 mm	466 mm
LC-350	350 mm	516 mm
LC-400	400 mm	566 mm
LC-450	450 mm	616 mm
LC-500	500 mm	666 mm
LC-550	550 mm	716 mm
LC-600	600 mm	766 mm
LC-622	622 mm	788 mm
LC-762	762 mm	928 mm
LC-800	800 mm	966 mm
LC-910	910 mm	1076 mm
LC-1000	1000 mm	1166 mm
LC-1200	1200 mm	1366 mm
LC-1300	1300 mm	1466 mm

Your authorized Kelva distributor is:
Dovey Corp, 3220 W. 25th St., Anderson, IN 46018, Phone (800-457-2576)

Your sales representative is:
Gary Lovelace & Associates, 3670 Baisden Rd., Pensacola, FL 32503
Office Phone (850) 469-9708, Cell Phone (850) 206-3823

E-Mail: gelgcas@bellsouth.net

07 Kelva LC Contact Web Cleaner 2018

