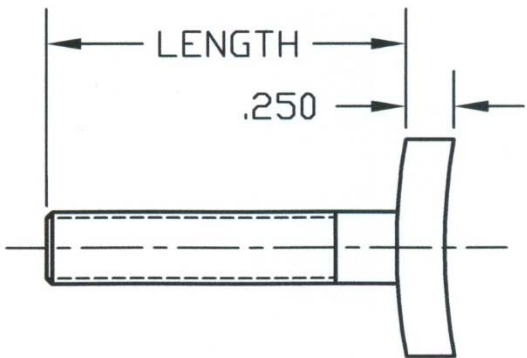


PART #'S & SPECS OF ***CURVED BASE*** T-BOLTS FOR DOVEY ATTACHMENTS ON T-COLLARS.



DM501-1000	T-BOLT 1 1/8 HEAD 1/2 THREAD	1	\$ 11.00
DM501-1250	T-BOLT 1 1/8 HEAD 1/2 THREAD	1	\$ 11.00
DM501-1500	T-BOLT 1 1/8 HEAD 1/2 THREAD	1	\$ 11.00
DM501-1750	T-BOLT 1 1/8 HEAD 1/2 THREAD	1	\$ 11.00
DM501-2000	T-BOLT 1 1/8 HEAD 1/2 THREAD	1	\$ 11.00
DM501-2250	T-BOLT 1 1/8 HEAD 1/2 THREAD	1	\$ 11.00
DM501-2500	T-BOLT 1 1/8 HEAD 1/2 THREAD	1	\$ 11.00
DM501-3000	T-BOLT 1 1/8 HEAD 1/2 THREAD	1	\$ 11.00
DM501-3500	T-BOLT 1 1/8 HEAD 1/2 THREAD	1	\$ 11.00

THE COST OF T - BOLT LONGER THAN 4.000" IS \$10.00 and up.

**TYPICAL ATTACHMENT:**

**THE LAST FOUR (4) NUMBERS INDICATE THE LENGTH OF THE SHANK OF THE BOLT.**

**THE HEAD OF THIS T- BOLT IS CURVED TO ACCOMDATE THE RADIUS IN THE T-SLOT. COLLAR.**

**DOVEY CORPORATION**

3220 W. 25<sup>th</sup> STREET

ANDERSON IN 46011 USA

Ph.# 800 457 2576

Fax. # 888 649 2576