

T-SLOT COLLARS



- **Manufactured from high quality almag castings for a long life.**
- **Setup on shaft made quick and easy but loosening only one bolt.**
- **Heads supplied with graduated shoulder for quick setup.**
- **Supplied in either 3" or 5" wide with O.D. to suit application.**

***FOR MORE PRICING AND SHIPPING INFORMATION PLEASE
CONTACT US AT ABOVE PHONE, FAX, OR EMAIL.***

Dovey Corporation

**3220 W. 25th St. • Anderson, IN 46018
Phone (800) 457-2576 • FAX (888) 649-2576**

www.dovey.us

Your Dovey Area Managers

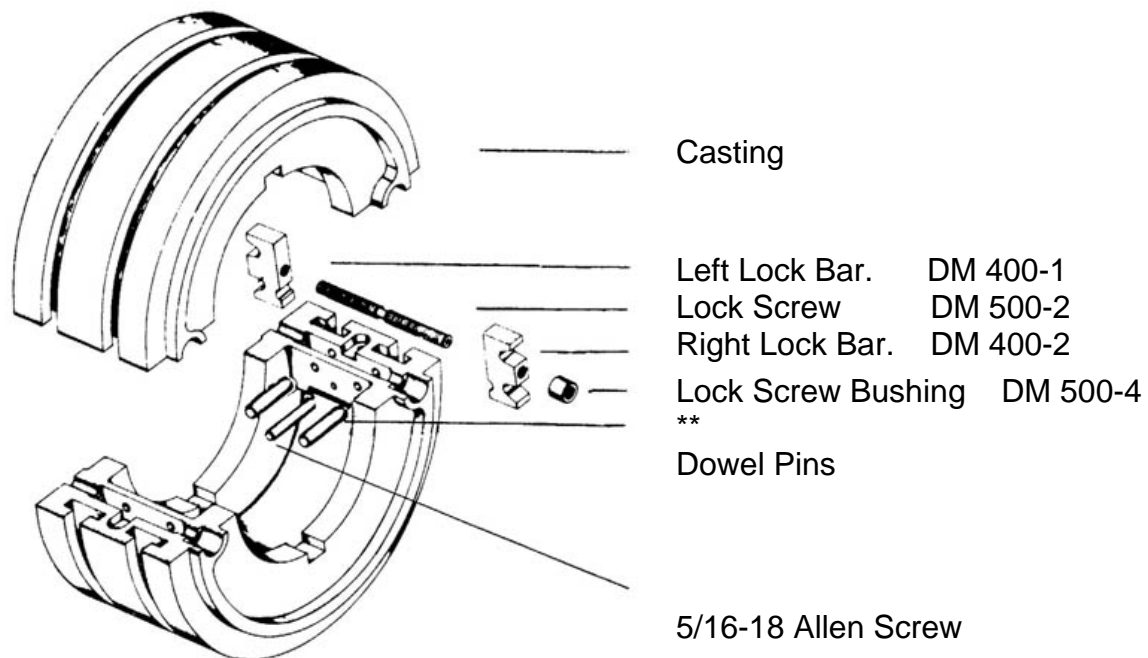
Gary Lovelace (850) 206-3823 • Drew Lovelace (850) 723-2963

Web Site: www.corrugatedonline.net

E-Mail: gary@dovey.us

INSTRUCTIONS FOR REMOVING AND REPLACING PARTS IN DOVEY

LOCK-UP SYSTEM FOR MOUNTING COLLARS & ANVILS.



1. Remove 5/16-18 Allen Screw.
2. Remove complete lock assembly from casting.
3. Remove left lock bar from lock screw.
4. Immerse lock screw bushing in hot water. This melts the Loc-Tite Sealant allowing bushings to be removed from lock screw.
5. Remove right lock bar.
6. DO NOT REMOVE DOWEL PIN.

**** IMPORTANT** Lockscrew bushing must be used on the lockscrew at all times and installed with Loc-tite to ensure that it will not come off during use. Remove bushing after lockscrew is worn and use again on the replacement.