

DOVEY SHARPENING STONES FOR ALL RAZOR CUT DRY END SLITTERS.



DOVEY CORP supplies diamond dresser sharpening stones (for tungsten carbide blades) for slitters made by:

BHS MARQUIP FOSBER ISOWA and MHI

- Unsurpassed quality and superior life.
- Made to exact OEM specs.
- Competitively priced and delivered from stock.

1 MARQUIP **\$44.00** complete with bearing and snap ring
Pt #.9626044 - 400 FOR USE ON STEEL ONLY.

1 MARQUIP **\$44.00** complete with bearing
Pt. # 9626044 – 230TC FOR USE ON T CARBIDE ONLY.

2 BHS **\$44.00**

3 FOSBER **\$44.00**

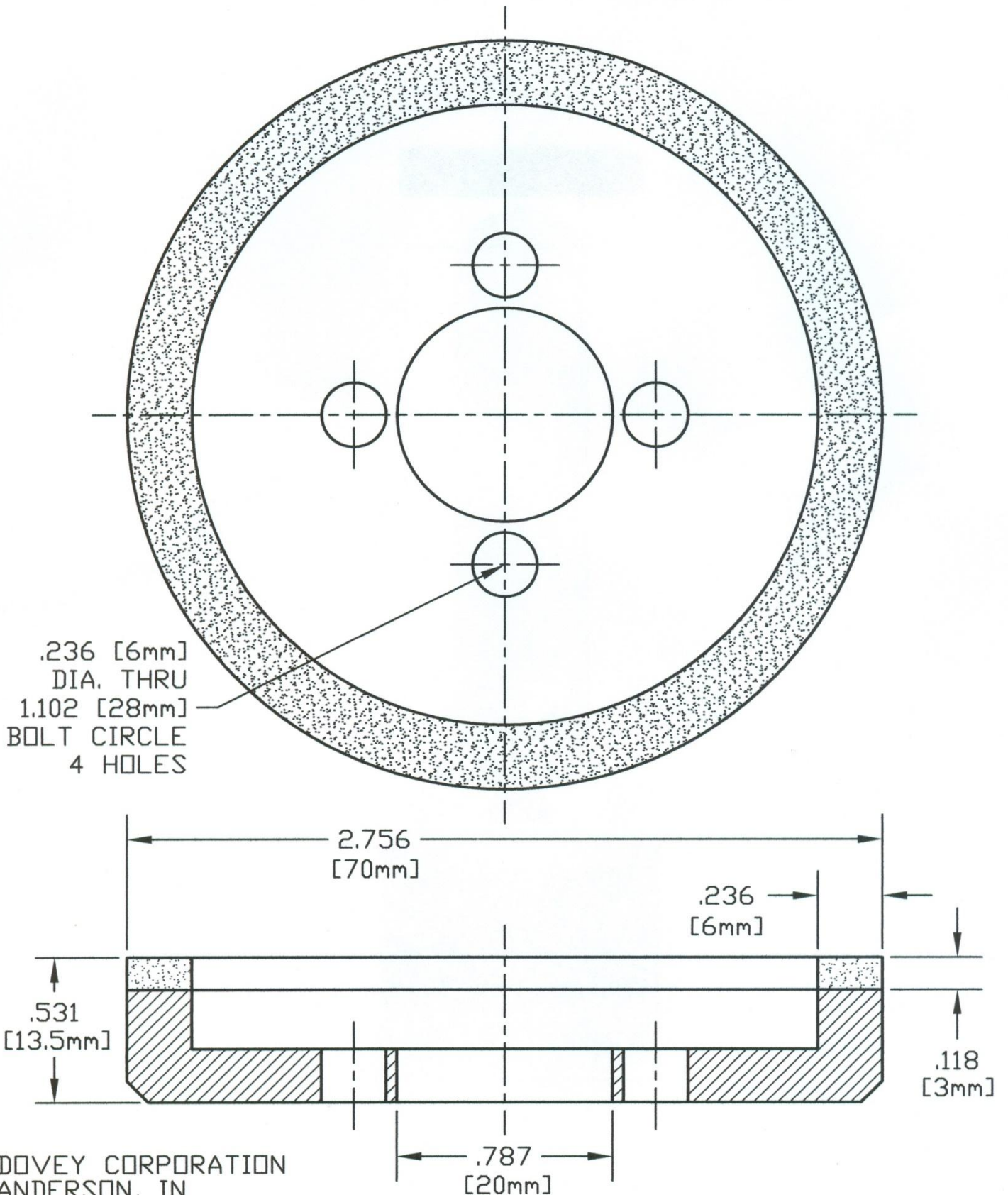
4 MHI **\$44.00** WITH BEARING AND MOUNTING SCREW

5 ISOWA **\$63.00** PER PAIR WITH BEARING

For more information please contact:

DOVEY CORPORATION
P. O BOX 2249
ANDERSON IN 46018
PH.# 800 457 2576 *** FAX.# 888 649 2576
www.dovey.us

FOS-GW3975
FOSBER GRINDING STONE



DOVEY CORPORATION
ANDERSON, IN
PH. 765-649-2576