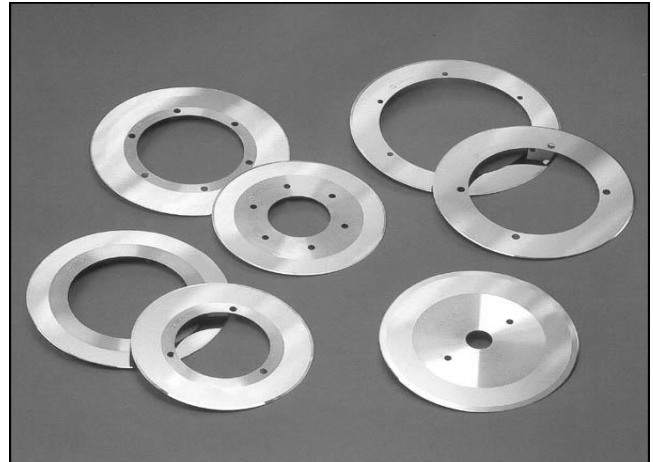


MEMO

DOVEY CORPORATION,
3220 W. 25th Street,
ANDERSON, IN 46011
www.dovey.us
PH. # 800 457 2576
765 649 2576
FAX.# 888 649 2576
765 649 1934

FROM: Craig Smythe
E mail: csmythe@dovey.us
DATE: September 8, 2017
SUBJECT: Isowa Slitter Blade



For file purpose this info confirms price and spec. on the Isowa Tungsten Carbide Slitter Blade.

Cost of the blade is **\$150.00** in any quantity.

Delivery : 30 days from receipt of order.

Each blade order is shipped with a pair of PVC dotted Kelvar gloves no charge.

Please call with any questions.

Best regards,

Craig.



PRECISION MADE TUNGSTEN/CARBIDE BLADES FOR FOSBER, MARQUIP, BHS, MHI, ISOWA AND AGNATI.

BY DOVEY CORP.

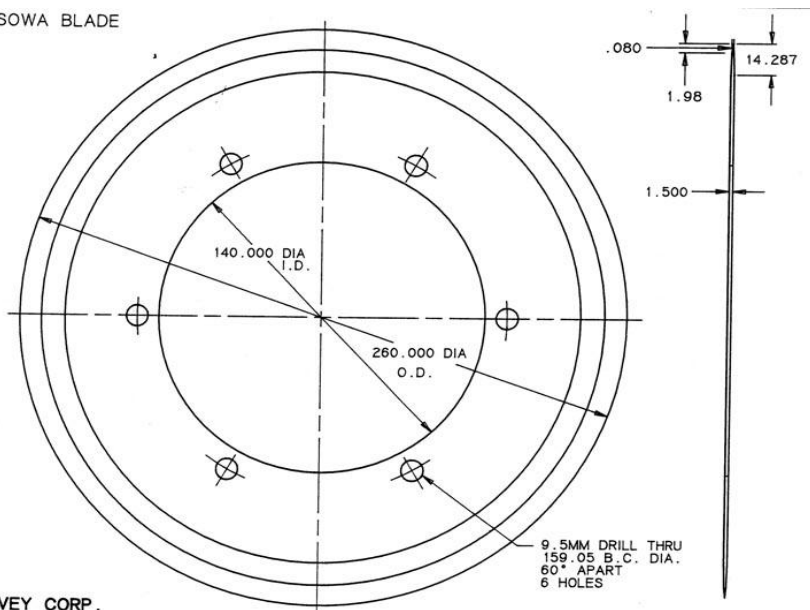


The Dovey Isowa Tungsten Carbide Blade Analysis:

ISO Strength	CHEMICAL COMPONENTS		WC grain size	grain size	Density	HRA	Transverse
	WC%	CO%					
K40	87	13	0.8 – 1.5	< 0.8	14.2	90.5	3500

- Tolerances are + - 0.0004" or less and component is precision finished and mirror polished.

ISOWA BLADE



For more information on delivery please contact;

DOVEY CORPORATION
3220 W. 25th STREET
ANDERSON IN 46011 USA

Fax. # 888 649 2576
E mail: order@dovey.us