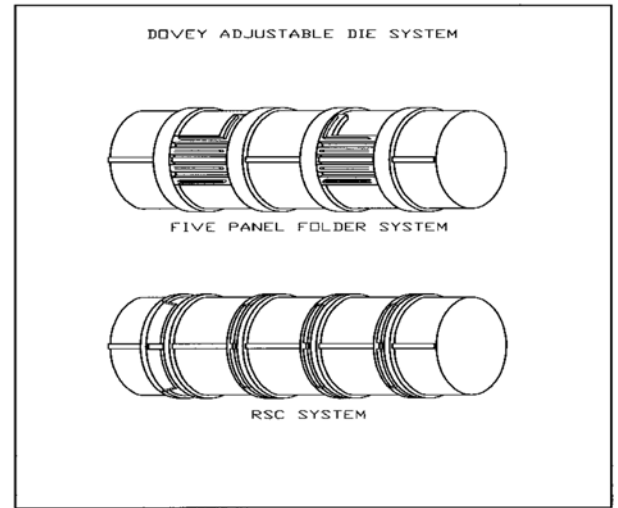


THE DOVEY ADJUSTABLE ROTARY DIE SYSTEM FOR ULTIMATE FLEXIBILITY AND COMPETITIVENESS.



Standard Features:

- Quick-lock adjustable dies.
- Clamp fit rings with hinged halves.
- Full vertical and horizontal scales.
- Positive locking bar.
- All steel, cadmium plated components.
- Increases profits by maximizing rotary die cutter utilization and versatility.
- A fast and simple method of adding printer-slotter capabilities to any rotary die cutter.
- Adds printer-slotter capacity without a large capital expenditure.
- Ideal for both short and long runs of standard boxes.
- Eliminates costly printer-slotter tear-downs for short runs of standard boxes.

Available styles:

- RSC (Regular Slotted Cartons).
- 5-Panel Folder.
- Other box styles and special features on request

COMPONENTS AVAILABLE FOR OTHER OLDER SIMILAR SYSTEMS.

**Manufactured by: Dovey Corp.,
Anderson, IN Phone 800-457-2576**

