



Power Pusher™

If it Rolls...We Can Move It.™



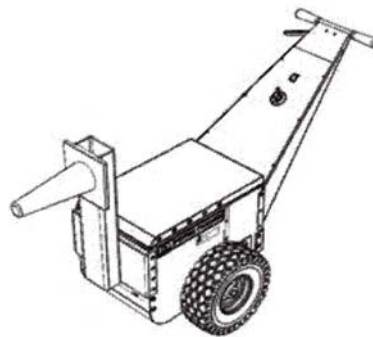
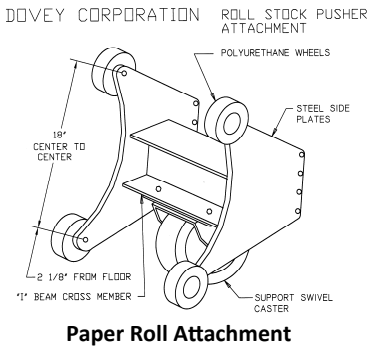
Features and Benefits:

- Transaxle design delivers stable operation over uneven surfaces
- 24 volt DC, 400 watt motor delivers heavy-duty 50,000 pound push/pull capacity
- Fully programmable control system with diagnostic features to adjust speed and acceleration/ deceleration based load and environment
- Ergonomic handles with hand guards increase operator comfort
- Fingertip controls and compact design for easy maneuverability and operation



The Dovey Power Pusher™ improves operator safety, reduces manpower and increases plant floor productivity with less downtime by transporting heavy loads fast and without excess exertion or muscle strain. A single person can maneuver 50,000 pounds with total control. It is available with a wide range of standard attachments, a couple of them shown below.

Attachments for Power Pusher™



Roll stock attachment for pushing rolls from the end.



The Super Power Pusher™ has a 36-volt DC, 1500 watt motor and produces 150,000 pounds' Push/Pull capacity.

Prices effective 6/1/2017. Subject to change. * FOB Dovey, Anderson, IN. 30 DAY TRIAL AVAILABLE. CLICK BELOW TO REQUEST MORE INFORMATION.

REQUEST A QUOTE



Dovey Corporation

3220 W. 25th St., Anderson, IN

Your Dovey Area Managers for the South and Midwest is:

Gary Lovelace & Associates (Web site: www.corrugatdonline.net)
Phone (850) 469-9708 • Cell (850) 206-3823 • E-Mail: gary@corrugatedonline.net